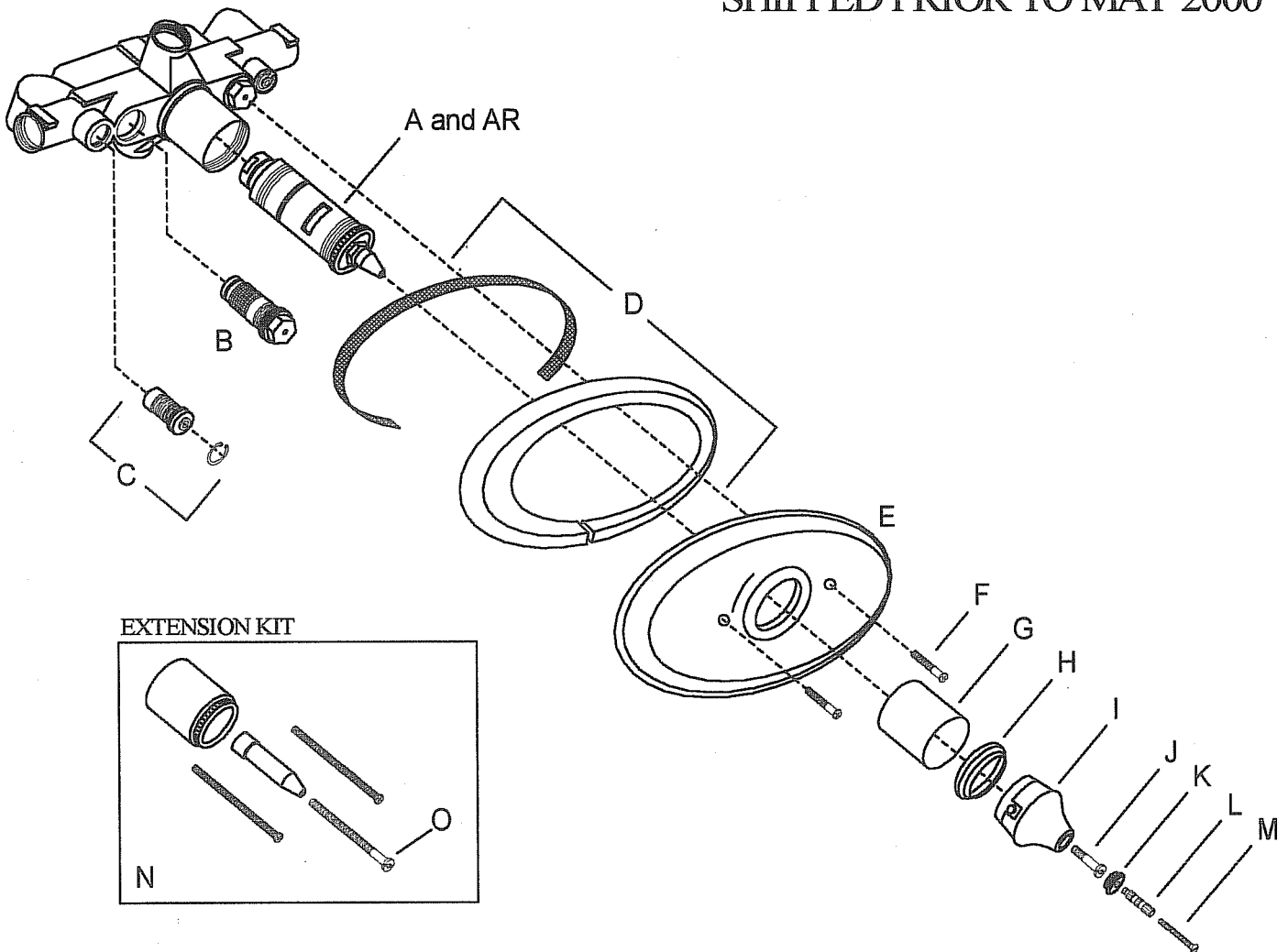


PARTS FOR THERMOSTAT VALVE

SHIPPED PRIOR TO MAY 2000



REPLACEMENT PARTS FOR THERMOSTAT

ITEM	DESCRIPTION	PRODUCT #	ITEM	DESCRIPTION	PRODUCT #
A	Cartridge	47.025	H	Temperature Limit Ring	03.758
AR	Reverse Cartridge	47.032	I	Handle Base w/Temp. Ring	THx1A
B	Check Valve (2 Required)	14.117	J	Screw for Handle Base	THx1B
C	Stop for Thermostat (2 Required)	47.017	K	Handle Base Cap	THx1C
D	Seal for Thermostat Plate	N.A.	L	Handle Stem for Thermostat	THx1D
E	Thermostat Plate	THx2	M	Screw for Handle Stem (8x32)	THx1F
F	Face Plate Screw (2 Required)	02.413	N	Extension Kit (includes item O)	06.087
G	Body Sleeve	00.040	O	Extended Screw for Handle	THx1BEXT

To order specific decorative handle; please refer to the parts price list under lavatory parts (i.e.: for TH141 Handle look to K141x1).