

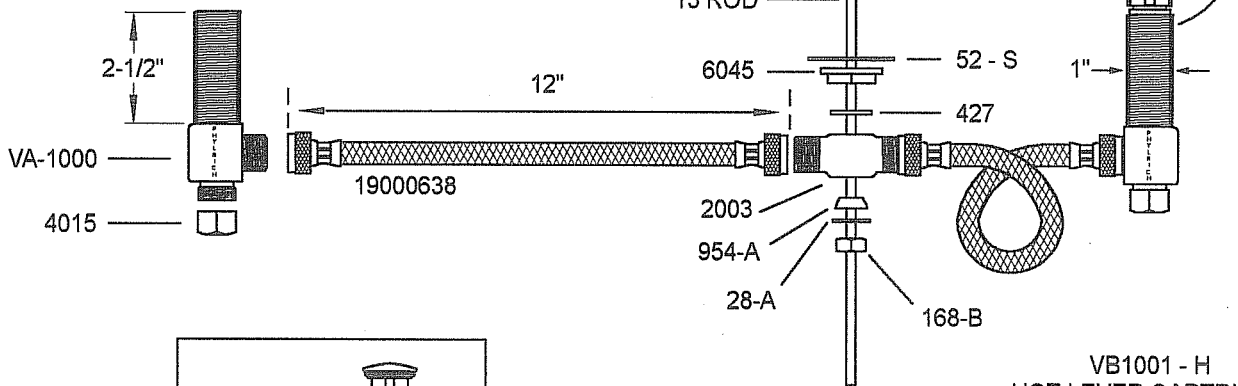
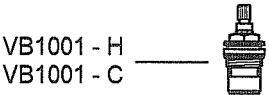
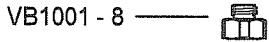
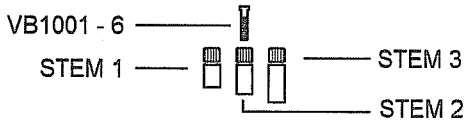
*Expansion
EXT wall 6.5*

LAVATORY PARTS BREAKDOWN

1/4 TURN CERAMIC VALVE

SHIPPED FROM DECEMBER 1991
TO APRIL 1999

MANUFACTURED BY:
I W INDUSTRIES



VA1002-H, VA1002-C
SPECIFY FINISH
AND TRIM NUMBER

VB1001 - H
HOT LEVER CARTRIDGE
HOT and COLD ROUND
HANDLE CARTRIDGE



VB1001 - C
COLD LEVER
CARTRIDGE

